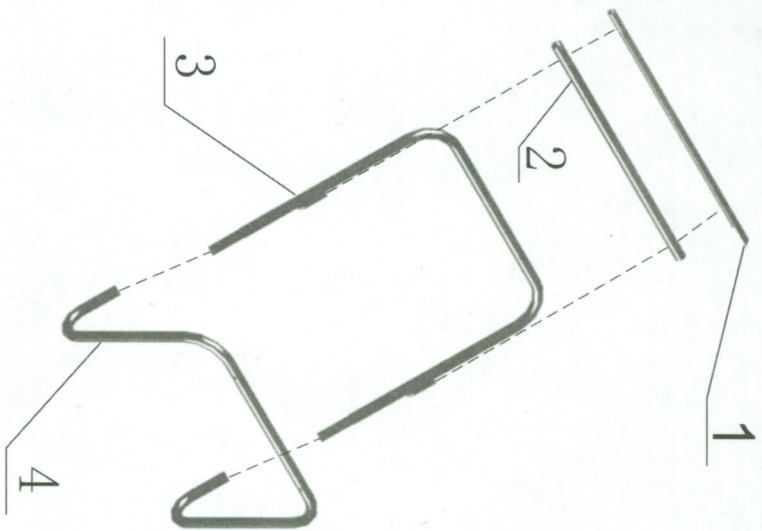
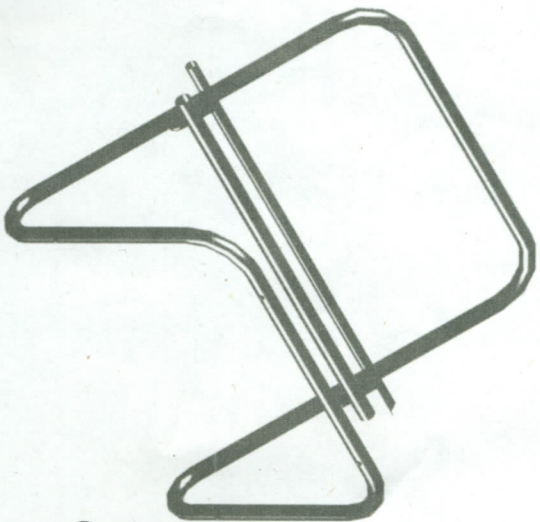


PACK LIST

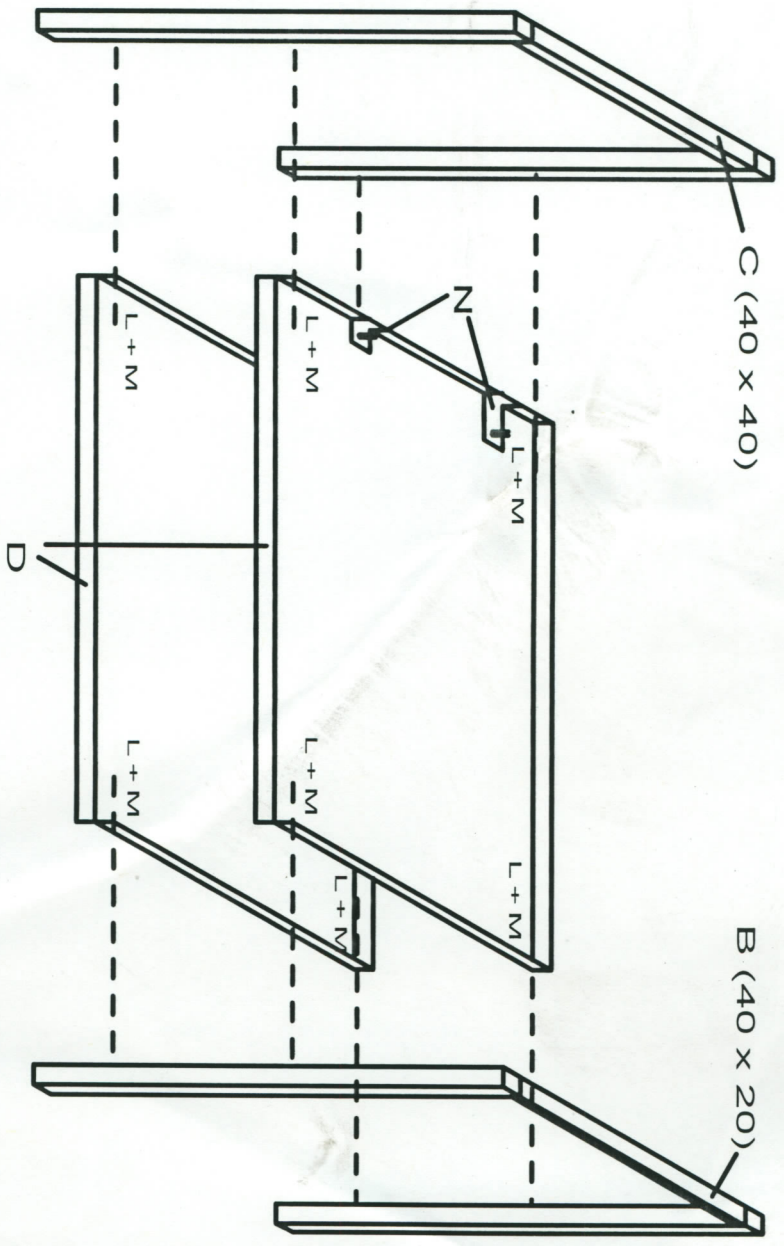
List	Product name	Quantity
1	Saw Blade & Components	1
2	straight tube	1
3	U-shape spile	1
4	Wall-mounting Components	1



(KD)



(Assembled)



1

